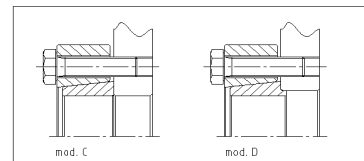
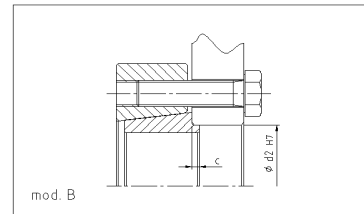
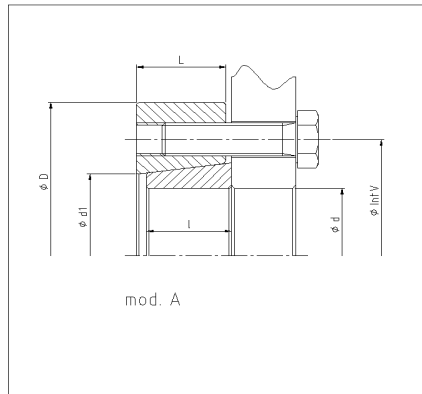


## External locking assembly MAV 3012 light duty

rev. 0

### Features:

- for narrow hub connection (ex. sprockets, brake discs)
- 2-part design, 4 models available
- not self-locking
- screws DIN 931/933 grade 10.9
- shaft / hub surface finish  $Ra < 3,2 \mu m$
- shaft tolerance: h9
- screws & tapers greased with MoS<sub>2</sub>
- shaft & hub contact surfaces: GREASE-FREE and DRY
- transmissible torque is given by min. capacity of shaft/lock.assy or hub/lock.assy contact surfaces
- <sup>(1)</sup> screws length for model C and D



Ma: screw tightening torque  
Mt: max transmissible torque

### Example of order: MAV3012 – 50 x 112 mod. A, B, C or D, hub width for mod. A and B

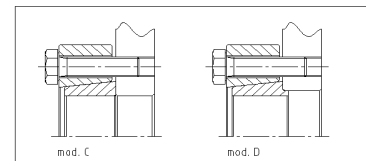
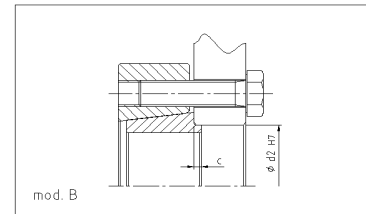
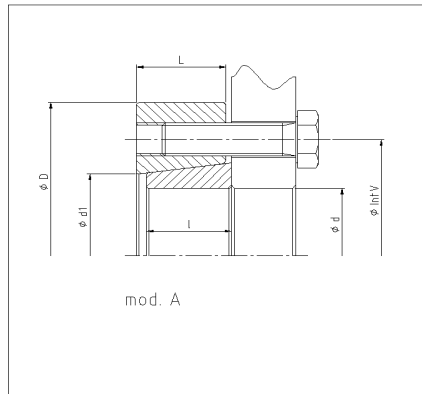
Dimensions									Screws			Mt	Weight
d	x	D	L	lntV	l	d1	c	d2	no.	size <sup>(1)</sup>	Ma	Nm	kg
mm	mm	mm	mm	mm	mm	mm	mm	mm			Nm		
11	x	39	10	25	9	13	1,5	12	3	M 6 x 18	12	20	0,1
10	x	39	10	25	9	13	1,5	12	3	M 6 x 18	12	30	
9	x	39	10	25	9	13	1,5	12	3	M 6 x 18	12	24	
13	x	44	13	28	12	16	1,5	14	3	M 6 x 20	12	87	0,1
12	x	44	13	28	12	16	1,5	14	3	M 6 x 20	12	87	
11	x	44	13	28	12	16	1,5	14	3	M 6 x 20	12	87	
16	x	52	15	36	14	21	2	18	3	M 8 x 25	30	151	0,2
15	x	52	15	36	14	21	2	18	3	M 8 x 25	30	133	
14	x	52	15	36	14	21	2	18	3	M 8 x 25	30	116	
20	x	60	17	42	16	26	2	22	3	M 8 x 30	30	250	0,3
18	x	60	17	42	16	26	2	22	3	M 8 x 30	30	250	
16	x	60	17	42	16	26	2	22	3	M 8 x 30	30	250	
25	x	66	19	48	18	32	2	27	5	M 8 x 30	30	429	0,4
22	x	66	19	48	18	32	2	27	5	M 8 x 30	30	332	
20	x	66	19	48	18	32	2	27	5	M 8 x 30	30	275	
30	x	76	21	56	20	38	2	32	6	M 8 x 35	30	672	0,6
28	x	76	21	56	20	38	2	32	6	M 8 x 35	30	660	
25	x	76	21	56	20	38	2	32	6	M 8 x 35	30	526	
40	x	96	25	70	24	47	3	43	6	M 10 x 35	59	1.340	1,2
35	x	96	25	70	24	47	3	43	6	M 10 x 35	59	1.310	
30	x	96	25	70	24	47	3	43	6	M 10 x 35	59	1.120	
50	x	112	30	84	29	58	3	53	7	M 12 x 45	100	2.670	1,8
45	x	112	30	84	29	58	3	53	7	M 12 x 45	100	2.540	
40	x	112	30	84	29	58	3	53	7	M 12 x 45	100	2.010	

## External locking assembly MAV 3012 light duty

rev. 0

### Features:

- for narrow hub connection (ex. sprockets, brake discs)
- 2-part design, 4 models available
- not self-locking
- screws DIN 931/933 grade 10.9
- shaft / hub surface finish  $R_a < 3,2 \mu\text{m}$
- shaft tolerance: h9
- screws & tapers greased with  $\text{MoS}_2$
- shaft & hub contact surfaces: GREASE-FREE and DRY
- transmissible torque is given by min. capacity of shaft/lock.assy or hub/lock.assy contact surfaces
- <sup>(1)</sup> screws length for model C and D



Ma: screw tightening torque  
Mt: max transmissible torque

### Example of order: MAV3012 – 50 x 112 mod. A, B, C or D, hub width for mod. A and B

Dimensions									Screws			Mt	Weight
d	x	D	L	IntV	l	d1	c	d2	no.	size <sup>(1)</sup>	Ma	Nm	kg
mm	mm	mm	mm	mm	mm	mm	mm	mm			Nm		
60	x	120	34	94	32	66	3	63	9	M 12 x 50	100	3.690	2,2
55	x	120	34	94	32	66	3	63	9	M 12 x 50	100	3.100	
50	x	120	34	94	32	66	3	63	9	M 12 x 50	100	2.870	
70	x	148	40	112	38	79	4	74	8	M 16 x 60	250	6.930	4,2
65	x	148	40	112	38	79	4	74	8	M 16 x 60	250	5.980	
60	x	148	40	112	38	79	4	74	8	M 16 x 60	250	5.090	
80	x	170	44	130	42	94	4	84	9	M 16 x 65	250	10.120	6,1
75	x	170	44	130	42	94	4	84	9	M 16 x 65	250	9.060	
70	x	170	44	130	42	94	4	84	9	M 16 x 65	250	7.890	
90	x	185	50	144	48	104	4	94	12	M 16 x 70	250	13.600	8
85	x	185	50	144	48	104	4	94	12	M 16 x 70	250	12.100	
80	x	185	50	144	48	104	4	94	12	M 16 x 70	250	11.500	
100	x	197	54	156	52	114	4	104	14	M 16 x 75	250	18.600	9,5
95	x	197	54	156	52	114	4	104	14	M 16 x 75	250	18.300	
90	x	197	54	156	52	114	4	104	14	M 16 x 75	250	18.100	

Information subject to change without prior notification. © MAV S.p.A.